

# Angular Contact Ball Bearings

Bearing No. : **NACHI 7212BDF**

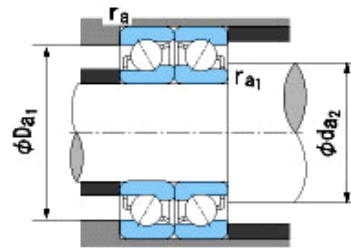
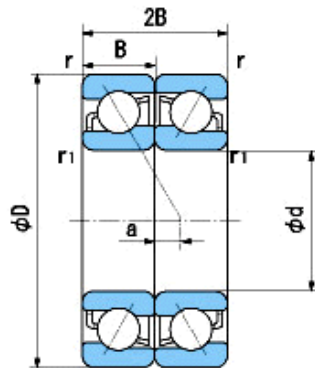
■ Bearing Type

■ Clearance

■ Tolerance Class

## Dimensions

d = 60 <sup>0</sup><sub>-0.015</sub>  
 D = 110 <sup>0</sup><sub>-0.015</sub>  
 B = 22 <sup>0</sup><sub>0.000</sub>  
 r = 1.5~2.3  
 (Radial Direction)  
 r = 1.5~4  
 (Axial Direction)  
 r1 = 1~1.9  
 (Radial Direction)  
 r1 = 1~3  
 (Axial Direction)  
 a = 24.7



## Dimensions

da1(min) = 69  
 da2(min) = 65  
 Da1(max) = 101  
 Da2(max) = 104.6  
 ra(max) = 1.5  
 ra1(max) = 1  
 Mass = 1.64 kg

|                                |                                |
|--------------------------------|--------------------------------|
| Basic Dynamic Load Rating Cr : | <b>94,000</b> N                |
| Basic Static Load Rating Cor : | <b>92,000</b> N                |
| Limiting Speed ;               |                                |
| Grease Lubrication :           | <b>3,800</b> min <sup>-1</sup> |
| Oil Lubrication :              | <b>5,000</b> min <sup>-1</sup> |

|                                | INNER RING   | OUTER RING   |
|--------------------------------|--------------|--------------|
| O.D.Surface Runout with Side : |              | -            |
| Axial Runout with Bore :       | -            |              |
| Axial Runout with Raceway :    | -            |              |
| Width Variation :              | <b>0.025</b> | <b>0.025</b> |
| Radial Runout :                | <b>0.020</b> | <b>0.035</b> |